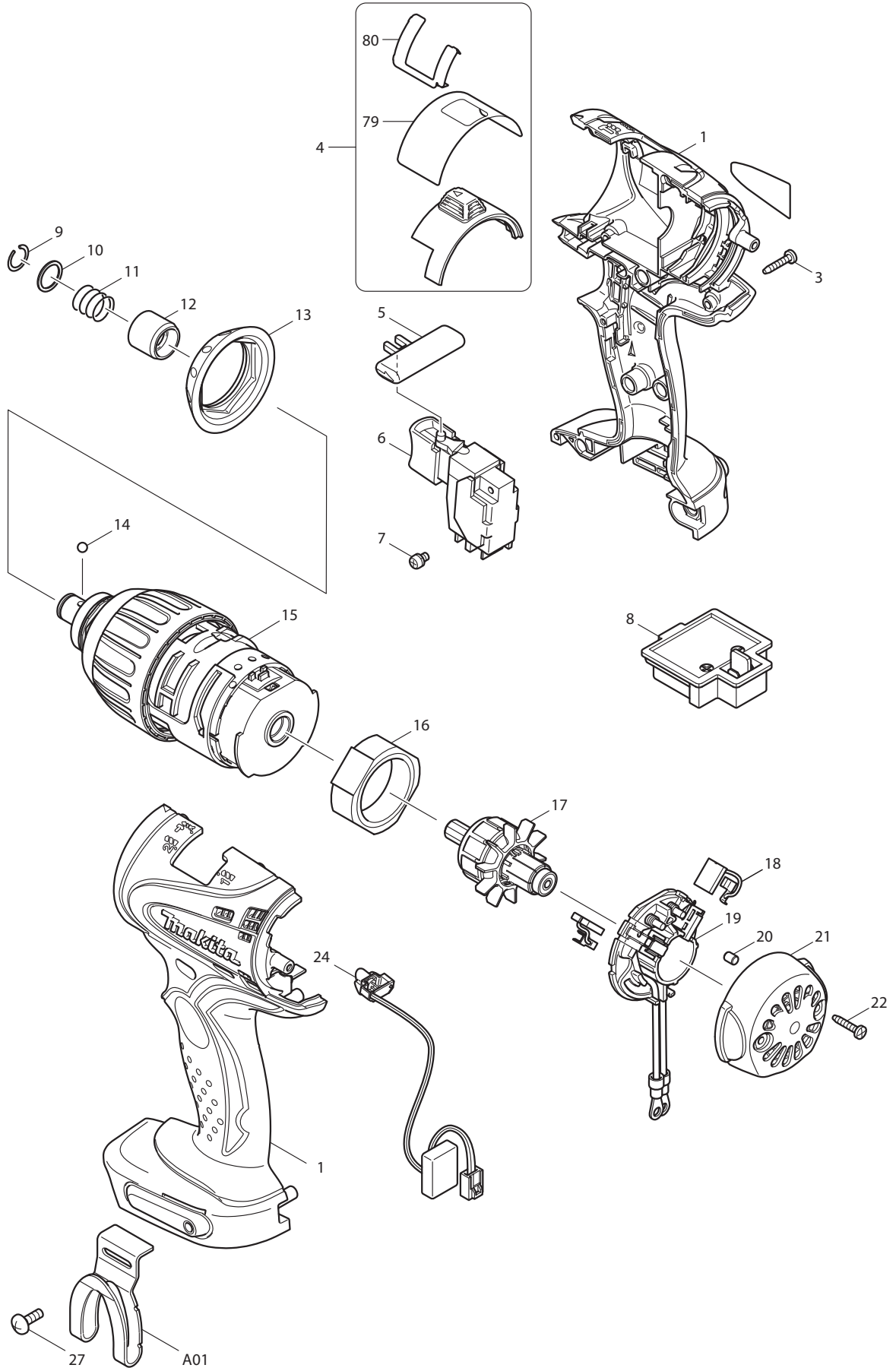
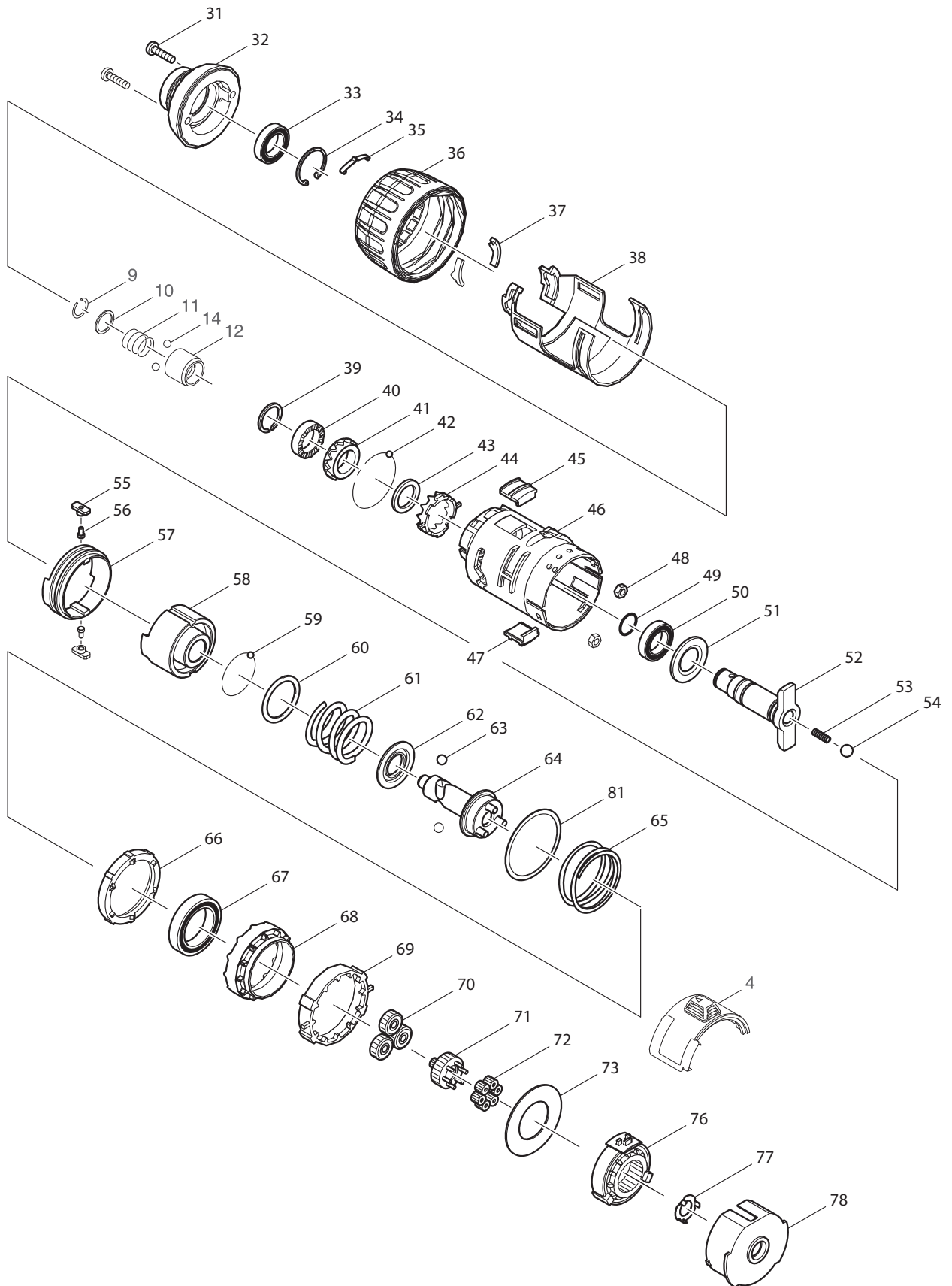




09 - 2011  
BTP140, BTP140Z, BTP140X2, BTP140F  
18V MULTI MODE IMPACT DRIVER





Item No	Type	Ref	Part No	Description	Qty	Unit
1			188652-8	HOUSING SET (OLD# 188126-9 - N/L/A)	1	SET
3			266130-9	TAPPING SCREW BIND PT 3X16	9	PC.
4			125329-4	MODE CHANGE LEVER ASS'Y	1	PC.
		INC.		Item No. 79, 80	1	PC.
5			419041-9	F/R CHANGE LEVER	1	PC.
6			650568-2	SWITCH TG553FSB-2	1	PC.
7			652045-0	+PAN HEAD SCREW M3.5X5	2	PC.
8	1		643812-4	TERMINAL (TYPE 1)	1	PC.
	2		643843-3	TERMINAL (TYPE 2)	1	PC.
9			231951-8	RING SPRING 11	1	PC.
10			267085-1	FLAT WASHER 12	1	PC.
11			233005-7	COMPRESSION SPRING 13	1	PC.
12			324420-7	SLEEVE	1	PC.
13	1		421913-6	BUMPER (TYPE 1)	1	PC.
	2		424197-5	BUMPER (TYPE 2)	1	PC.
14			216001-0	STEEL BALL 3.5	2	PC.
15			125515-7	IMPACT ASS'Y (OLD# 125330-9 - N/L/A)	1	PC.
		INC.		Item No. 9-14, 31-73, 76-78, 81	1	PC.
16			638396-5	YORK UNIT	1	PC.
17			619246-3	ARMATURE (OLD# 619188-1 - N/L/A)	1	PC.
18	1		194427-5	* CARBON BRUSH CB-440, 2PCS/SET (OLD#194159-4 -	1	SET
	2		195021-6	* CARBON BRUSH CB-440 2PC/SET, W/ ORIGIN	1	SET
19			638424-6	BRUSH HOLDER COMPLETE	1	PC.
		INC.	231696-8	TORSION SPRING R	1	PC.
		INC.	231697-6	TORSION SPRING L	1	PC.
20			263032-0	RUBBER PIN 4	2	PC.
21			418981-8	REAR COVER	1	PC.
22			266130-9	TAPPING SCREW BIND PT 3X16	2	PC.
24			631693-8	LIGHT CIRCUIT	1	PC.
27			251314-2	+ SCREW M4X12 (F/HOOK)	1	PC.
31	1		911127-0	PAN HEAD SCREW M4X16 (TYPE 1)	2	PC.
	2		265178-8	PAN HEAD SCREW M4X16 (TYPE 2)	2	PC.
32			318011-4	HAMMER CASE	1	PC.
33			211233-4	BALL BEARING 6802LLB (OLD# 211246-5 - N/L/A)	1	PC.
34			962113-4	RETAINING RING R-24	1	PC.
35			232227-6	LEAF SPRING	1	PC.
36			419372-6	CHANGE RING	1	PC.
37			345688-2	PLATE A	2	PC.
38			419370-0	CHANGE CASE	1	PC.
39			961085-0	RETAINING RING WR-15	1	PC.
40			223161-1	CAM A	1	PC.
41			223162-9	CAM B	1	PC.
42			216001-0	STEEL BALL 3.5	16	PC.
43			267318-4	FLAT WASHER 15	1	PC.
44			324655-0	HAMMER CHANGE LEVER	1	PC.
45			419374-2	PUSHER U	1	PC.
46			419369-5	GEAR CASE	1	PC.
47			419375-0	PUSHER L	1	PC.
48			931102-0	HEX. NUT M4	2	PC.
49			213166-9	O RING 12.5	1	PC.
50			211233-4	BALL BEARING 6802LLB (OLD# 211246-5 - N/L/A)	1	PC.
51			261130-4	NYLON WASHER 15	1	PC.
52			324661-5	ANVIL M	1	PC.
53			233285-5	COMPRESSION SPRING 4	1	PC.
54			216009-4	STEEL BALL 7.1	1	PC.
55			256495-7	SHOULDER PIN 3-6	2	PC.
56			419376-8	GUIDE	2	PC.
57			257276-2	RING 40	1	PC.
58			324658-4	HAMMER	1	PC.
59			216001-0	STEEL BALL 3.5	23	PC.

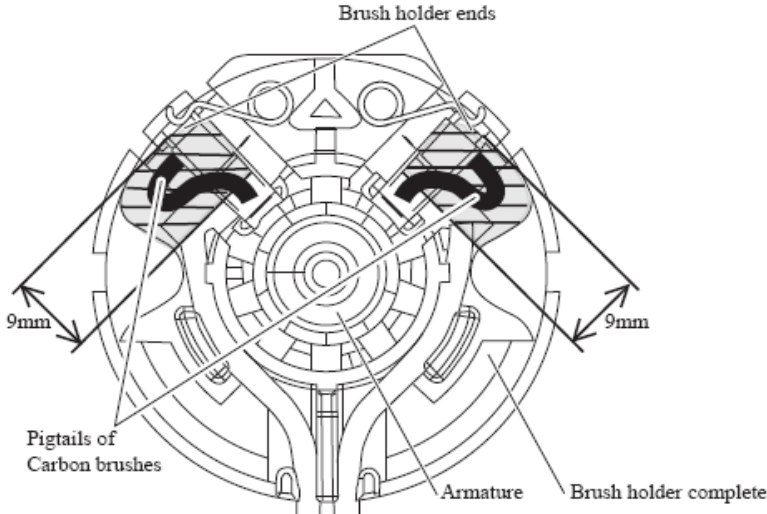
Item No	Type	Ref	Part No	Description	Qty	Unit
60			267175-0	FLAT WASHER 24	1	PC.
61	1		233430-2	COMPRESSION SPRING 24 (TYPE 1)	1	PC.
	2		234080-6	COMPRESSION SPRING 24 (TYPE 2)	1	PC.
62			267766-7	CUP WASHER 14	1	PC.
63			216011-7	STEEL BALL 5.6	2	PC.
64			154856-4	SPINDLE COMPLETE	1	PC.
65			233462-9	COMPRESSION SPRING 41	1	PC.
66			223163-7	CLUTCH CAM	1	PC.
67			211375-4	BALL BEARING 6805LLB (OLD# 211379-6 - N/L/A)	1	PC.
68			227162-1	INTERNAL GEAR 50	1	PC.
69			324656-8	CLUTCH CHANGE LEVER	1	PC.
70			227159-0	SPUR GEAR 22	3	PC.
71	1		154855-6	SPUR GEAR 7 COMPLETE (TYPE 1)	1	PC.
	2		158553-4	SPUR GEAR 7-38 COMPLETE (TYPE 2)	1	PC.
72			227160-5	SPUR GEAR 10	6	PC.
73			267317-6	FLAT WASHER 25	1	PC.
76			158106-9	SPEED CHANGE RING COMPLETE	1	PC.
77			267799-2	WASHER 10	1	PC.
78			419371-8	MOTOR BLACKET	1	PC.
79			345689-0	PLATE B	1	PC.
80			345690-5	PLATE C	1	PC.
81			267337-0	FLAT WASHER 40	1	PC.
<b>ACCESSORIES</b>			<b>- See catalogue or visit <a href="http://www.makita.ca">www.makita.ca</a> for more accessories -</b>			
A01	1		324705-1	HOOK (F/BL1830) (OLD# 324553-8 - N/L/A)	1	PC.
	2		346034-2	* HOOK (F/BL1815)	1	PC.
	3		346449-3	* HOOK (F/ BL1815, 1830)	1	PC.
A02			824753-5	PLASTIC CARRYING CASE	1	PC.
		INC.	324207-7	SHAFT	1	PC.
		INC.	413098-2	PLATE	4	PC.
		INC.	417724-5	LATCH	2	PC.
		INC.	419215-2A	PLASTIC CASE LID, TAB TYPE	1	PC.
		INC.	419216-0	HANDLE	1	PC.
	2		141205-4	PLASTIC CASE COMPLETE	1	PC.
		INC.	324207-7	SHAFT	1	PC.
		INC.	413098-2	PLATE	4	PC.
		INC.	417724-5	LATCH	2	PC.
		INC.	419215-2A	PLASTIC CASE LID, TAB TYPE	1	PC.
		INC.	419216-0	HANDLE	1	PC.
A03	1		DC18RA	CHARGER DC18RA	1	PC.
	2		DC18RC	CHARGER DC18RC	1	PC.
			DC18SD	CHARGER DC18SD	1	PC.
			DC18SE	12V AUTOMOTIVE CHARGER DC18SE	1	PC.
			DC18RAKIT	CHARGER+BATTERY(DC18RA+BL1830)	1	KIT
A04			194205-3	18V LI-ION BATTERY BL1830	1	PC.
			194230-4	18V LI-ION BATTERY BL1830, 2PC/PK	1	PK.
			194288-3	18V LI-ION BATTERY BL1830, 10PC/PK	1	PK.
			194309-1	18V LI-ION BATTERY BL1815	2	PC.
			194428-3	18V LI-ION BATTERY BL1815, 2PC/PK	1	PK.
			194604-9	18V LI-ION BATTERY BL1815, 10PC/PK	1	PK.
A05			450128-8	BATTERY COVER	1	PC.
A06			784202-3	PHILLIPS BIT 2-45	1	PC.
			784203-1	PHILLIPS BIT 2-65	1	PC.
A08			322279-6	BIT PIECE (N/L/A)	1	PC.
A09			166070-0	SHOULDER BELT	1	PC.
A10			763067-6	3/8" DRILL CHUCK	1	PC.
A11			D-23765	1/4" HEX 5-PC DRILL BIT ASST - N/L/A	1	SET
A12			763415-9	CHUCK KEY (F/DRILL CHUCK #763067-6)	1	PC.
A13			784643-3	CONNECTING BIT 6.35-44 (F/DRILL CHUCK)	1	PC.
A14	1		195927-8	TOOL CATCHER SET	1	PC.
	2		197043-2	TOOL CATCHER SET	1	PC.

**SERVICE CHANGES**

**1. Changes How to Assemble Carbon Brushes**

Item No.	Description	Type 1	Type 2
18	Carbon Brush	194427-5 (W/O ORIGIN)	195021-6 (W/ ORIGIN)

Do not protrude the pigtails of Carbon brushes from the specific spaces.  
Refer to the following illustration.



**2. Changes on Hook**

Item No.	Description	Type 2	Type 3
A01	HOOK	324705-1	346449-3

Width has been changed wide size to narrow size

